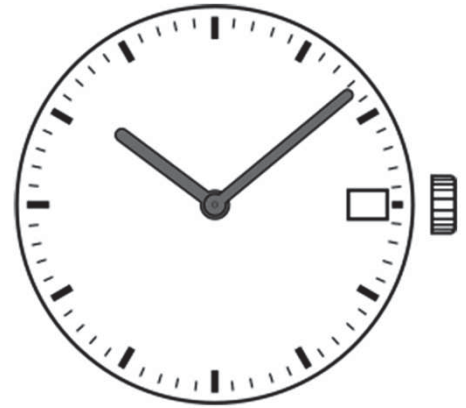


# Watch Movement Specification and Drawing

Slim / Small Movement

# VJ34B



Movement Size: **10½"**  
Diameter: **Φ23.70mm**  
Height: **2.71mm**

Items	Ver.	Items	Ver.
Specification	1		
Appearance	1		
Casing	1		
Hand Fitting	1		
Hand Setting Stem	1		
Dial	1		
Casing Ring	1		
Assembly Plan	1		
Hands	1		

## CAL.VJ34B 10½ Ligne Quartz Movement

### Two Hands with Date

#### 1. FUNCTION

- Jewel 0 jewel
- Accuracy Less than  $\pm 20$  seconds / month (Normal temperature range)
- Battery life Approx. 3 years
- Regulation hands unbalance
  - Hour hand : Less than  $0.30 \mu\text{N}\cdot\text{m}$  ( 30 mg·mm )
  - Minute hand : Less than  $0.30 \mu\text{N}\cdot\text{m}$  ( 30 mg·mm )
- Additional function Date display with quick date correction

#### 2. USE AND TEST CONDITION

- Battery SR621SW (Recommended battery is SEIZAIKEN)
- Operation temperature range From  $- 5 \text{ }^{\circ}\text{C}$  to  $+ 50 \text{ }^{\circ}\text{C}$
- Antimagnetic  $\geq 1600 \text{ A / m}$  (Direct current magnetic field)
- Test of accuracy 10 seconds (Duration of measurement)

**\* All specifications are subject to change without notice.**

# Appearance

# VJ34B

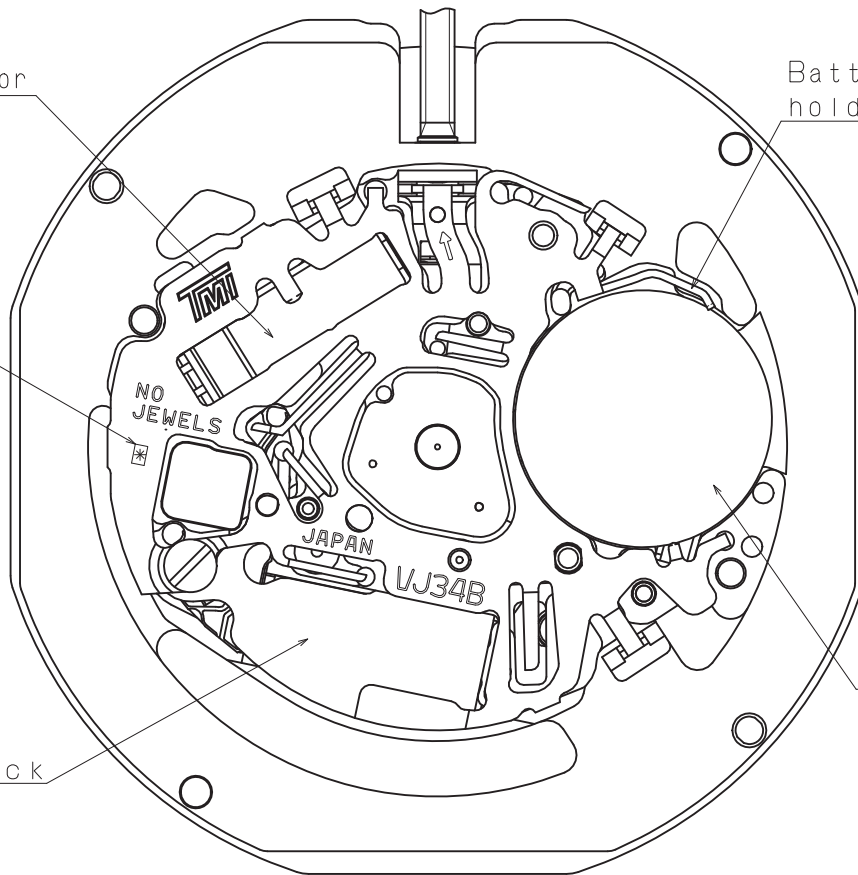
Crystal oscillator

Battery side holding spring

	*
TYPE M	2

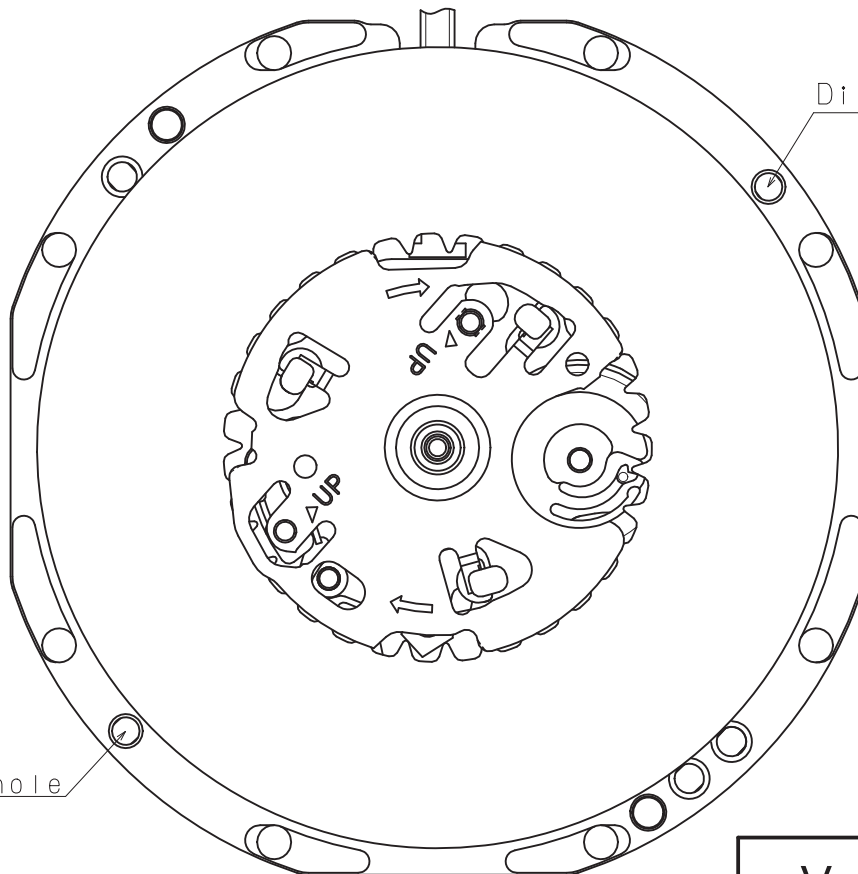
Coil block

Battery



Dial leg hole

Dial leg hole

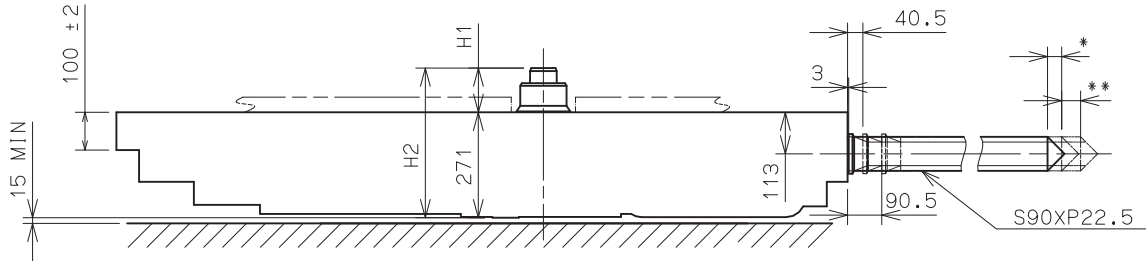


Version : 1

Battery Side holding spring Type.

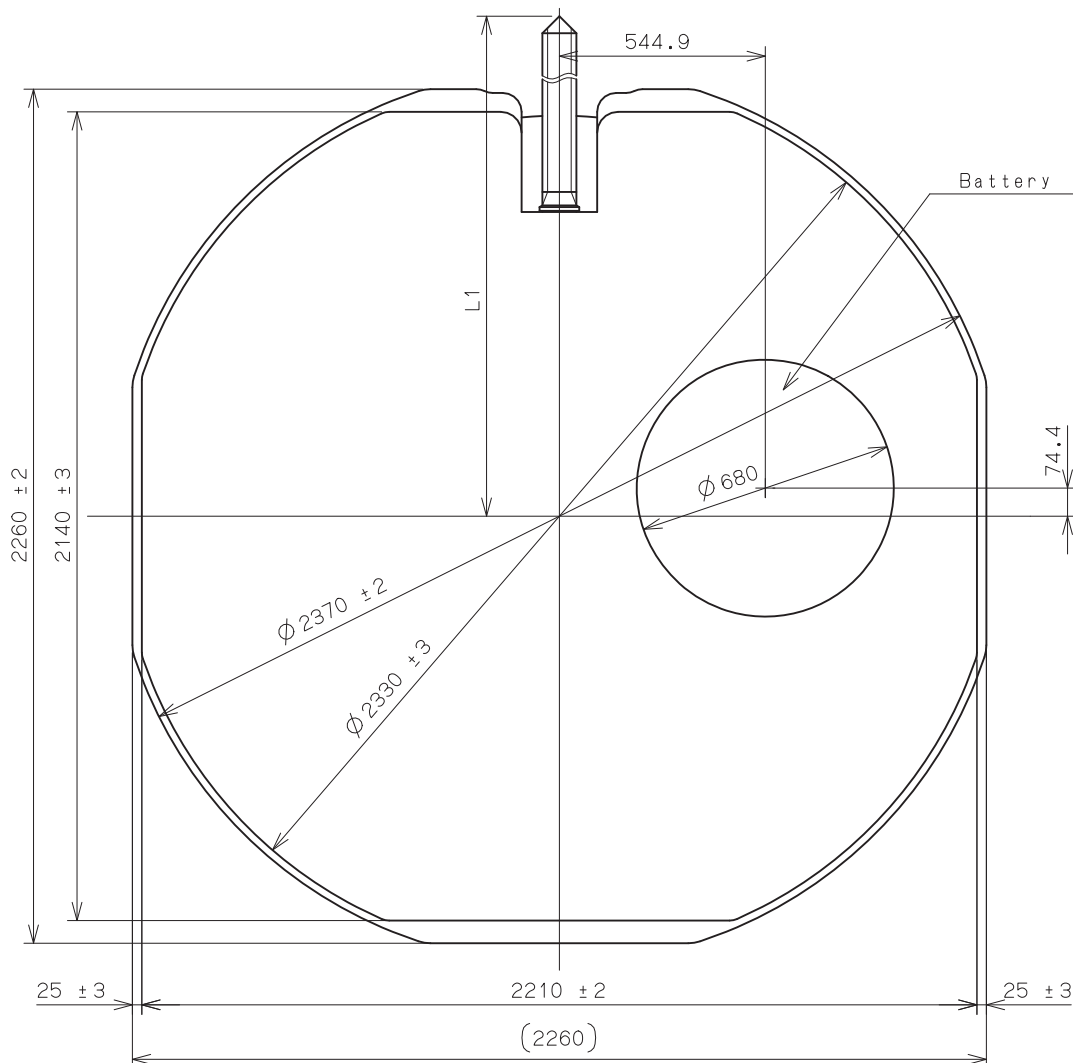
\* First Pull out Stroke 37.5

\*\* Second Pull out Stroke 50



Center post 中心柱位		TYPE M 一般針高
Maximum height from main plate surface 與機芯平面的最大高度	H1	117
Total height incl. movement 機芯總高度	H2	388

Hand Setting Stem	TYPE A	TYPE B
L1	2003	2413

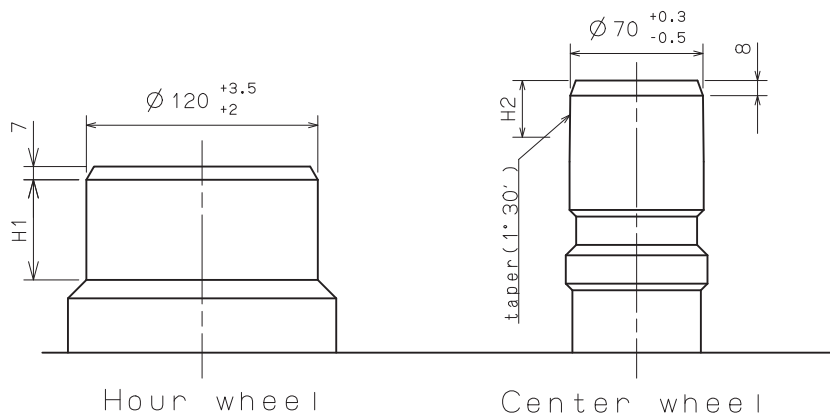


Unit : 1=1/100mm

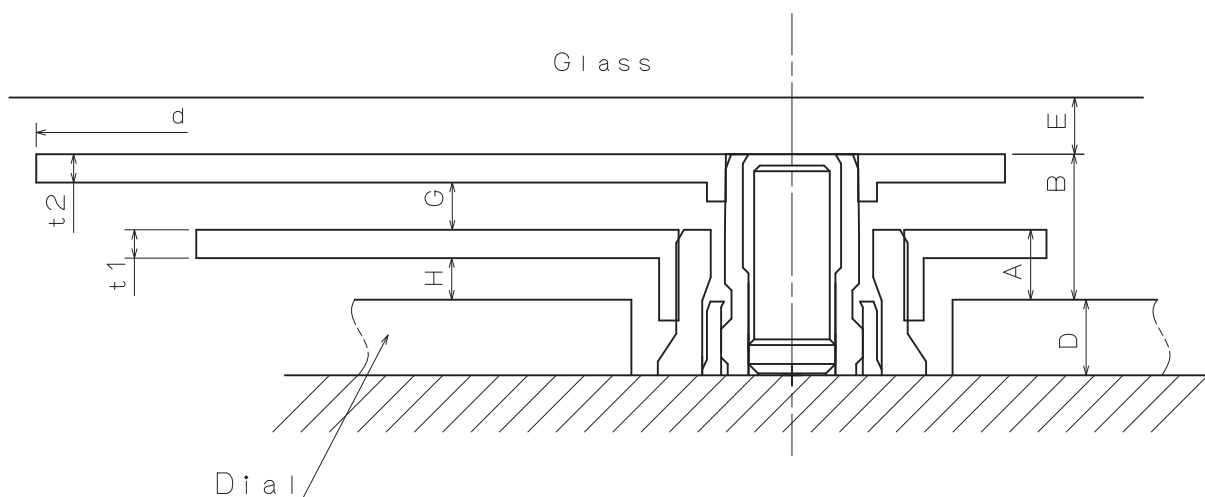
Version : 1

Hour hand unbalance  $\leq 0.3 \mu\text{N}\cdot\text{m} (30\text{mg}\cdot\text{mm})$

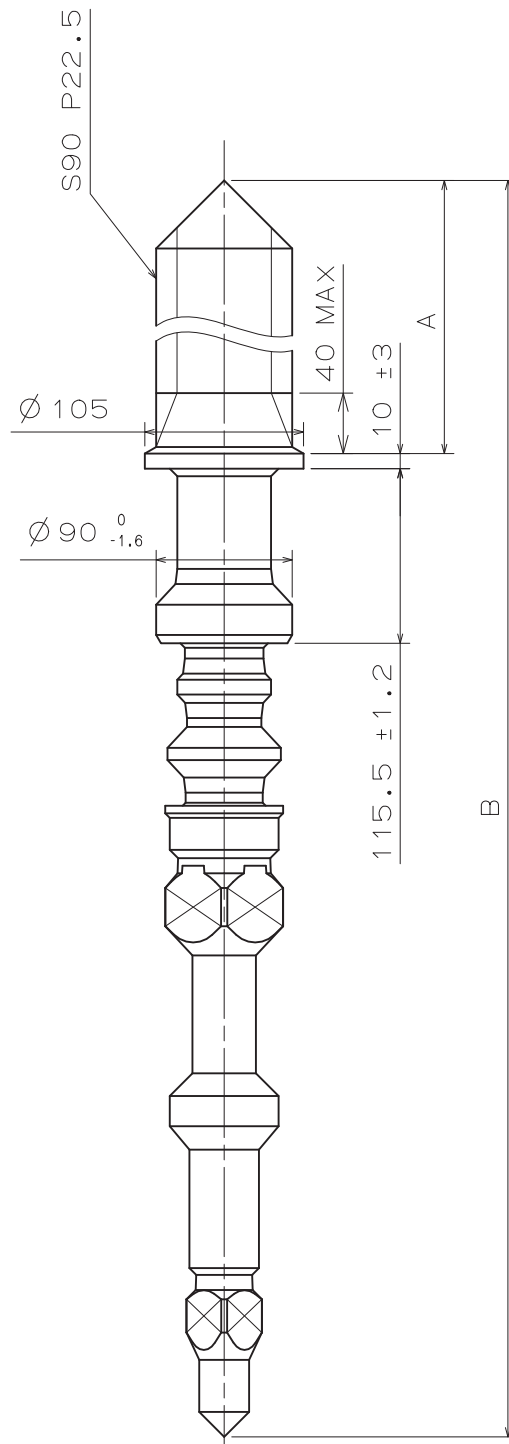
Minute hand unbalance  $\leq 0.3 \mu\text{N}\cdot\text{m} (30\text{mg}\cdot\text{mm})$



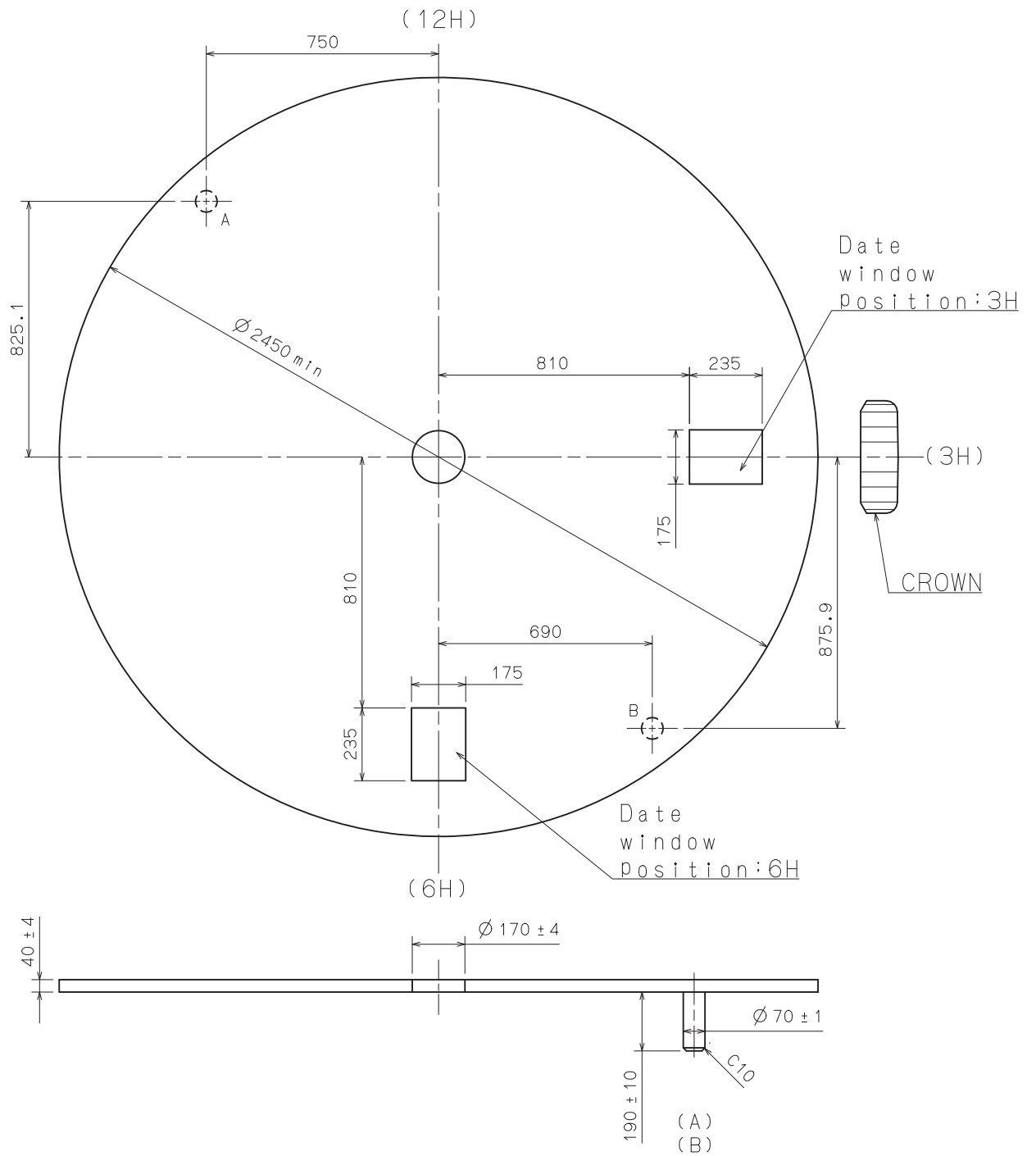
	Part No.		Dimension	
	Hour wheel 時針輪	Center wheel 分針輪	H1	H2
TYPE M 一般針高	0273 021	0221 055	48	27



	A	B	D	E	G	H	t1	t2	d
TYPE M 一般針高	37	77	40	30	25	22	15	15	$\phi 2500$

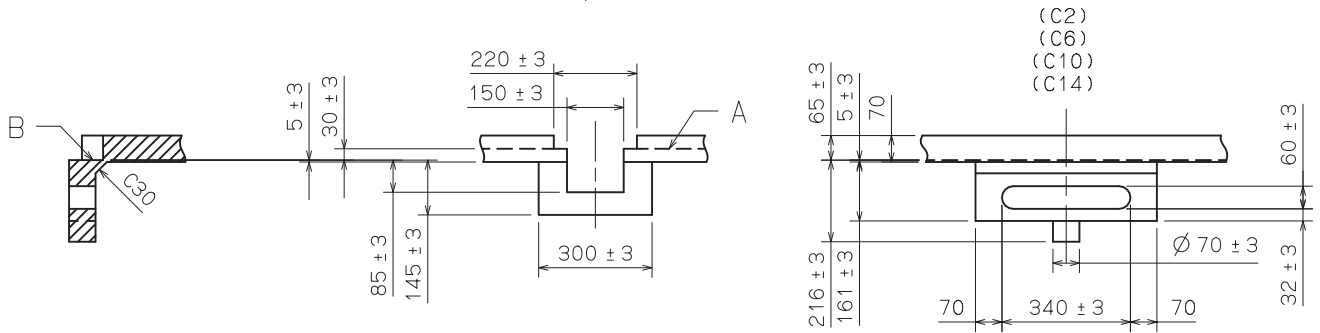
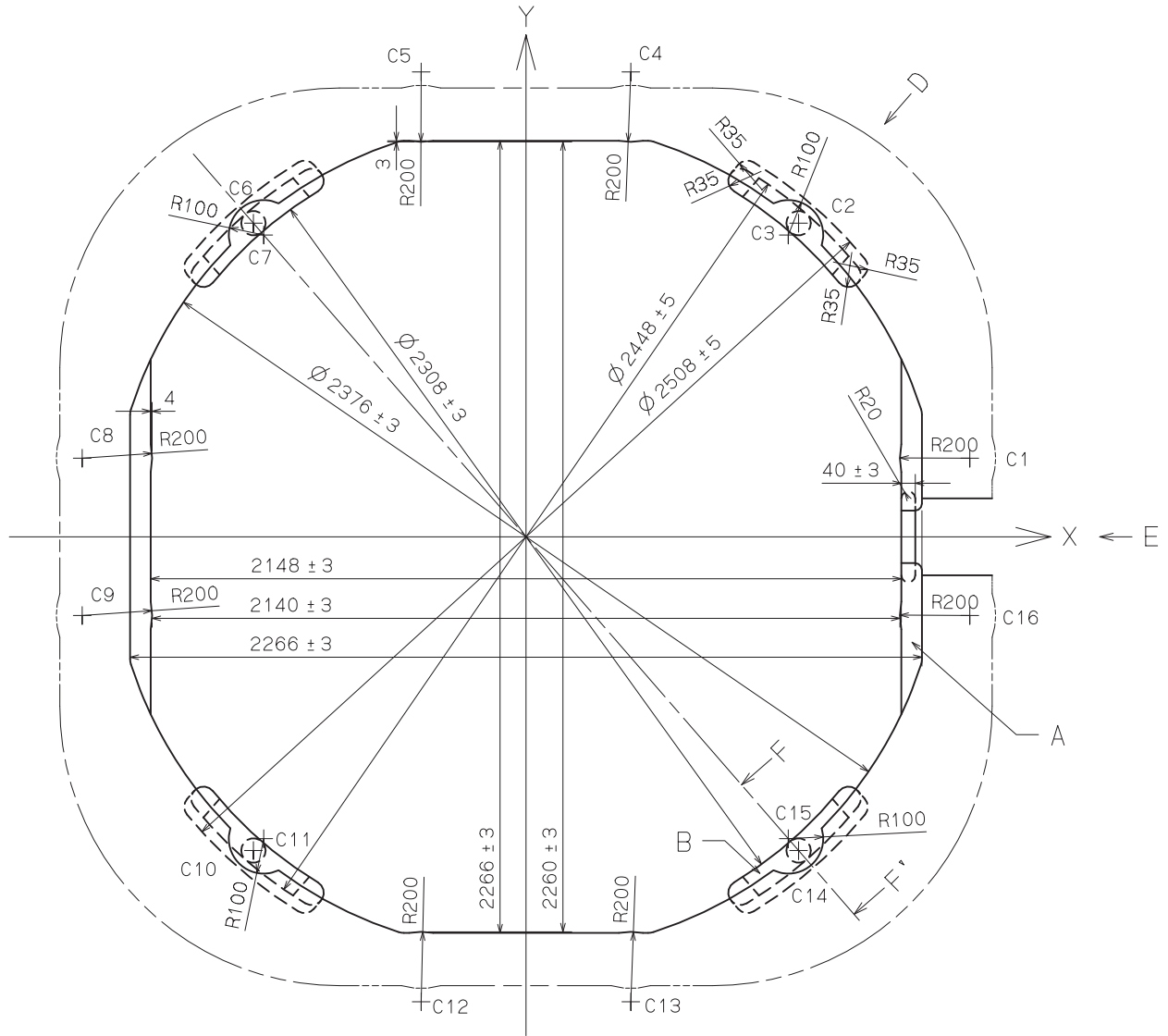


	Part No.	A	B
TYPE A	0351 332	1185	1835.5
TYPE B	0351 001	1595	2245.5



# Casing Ring

VJ34B



SECTIONAL VIEW of F-F'

SIDE VIEW from E DIRECTION

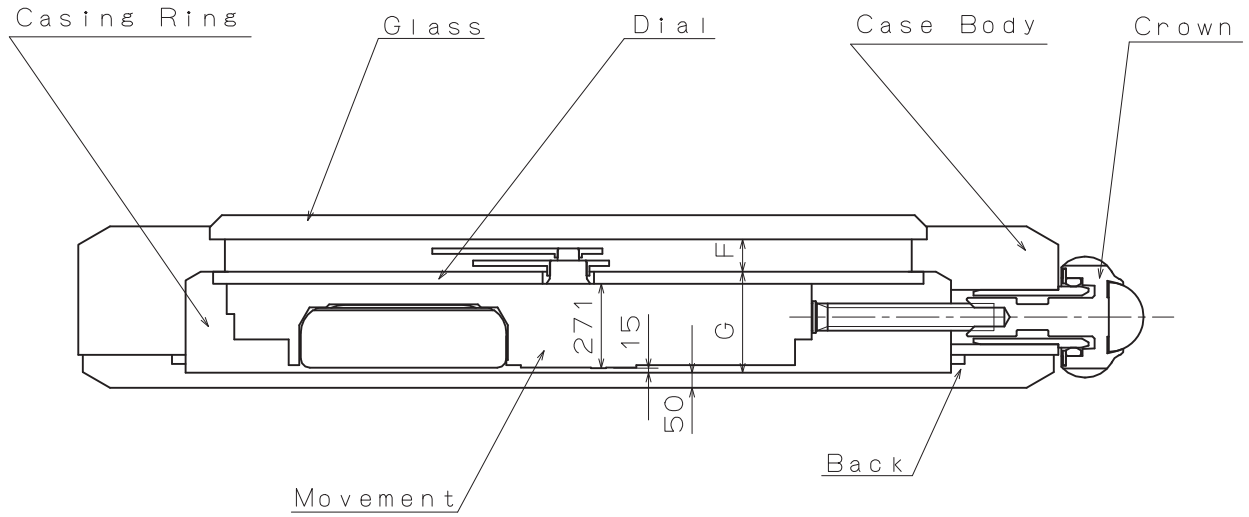
SIDE VIEW from D DIRECTION

No.	X	Y
C1	1270.00	225.00
C2	780.05	897.35
C3	750.53	863.39
C4	300.00	1130.00
C5	-300.00	1130.00
C6	-780.05	897.35
C7	-750.53	863.39
C8	-1270.00	225.00

No.	X	Y
C9	-1270.00	-225.00
C10	-780.05	-897.35
C11	-750.53	-863.39
C12	-300.00	-1130.00
C13	300.00	-1130.00
C14	780.05	-897.35
C15	750.53	-863.39
C16	1270.00	-225.00

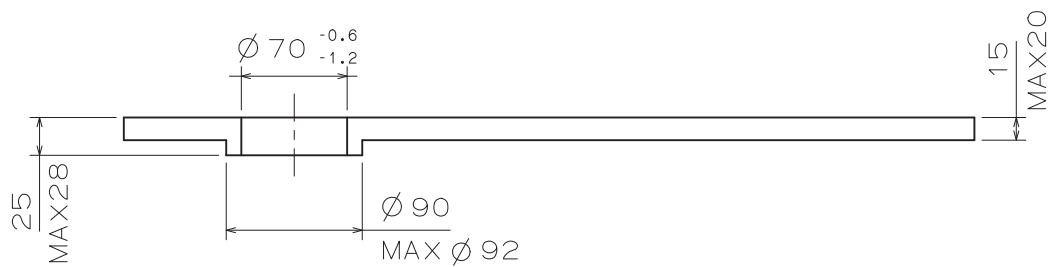
Unit : 1=1/100mm

Version : 1



	A	B	D	E	F	G	H
TYPE M	37	77	40	30	107	326	∅ 2500

MINUTE



HOUR

